

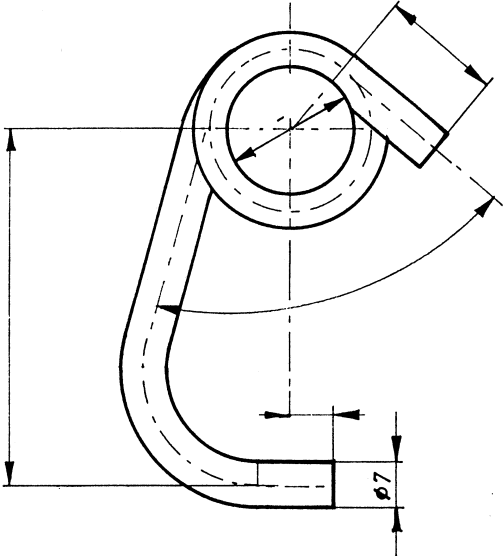
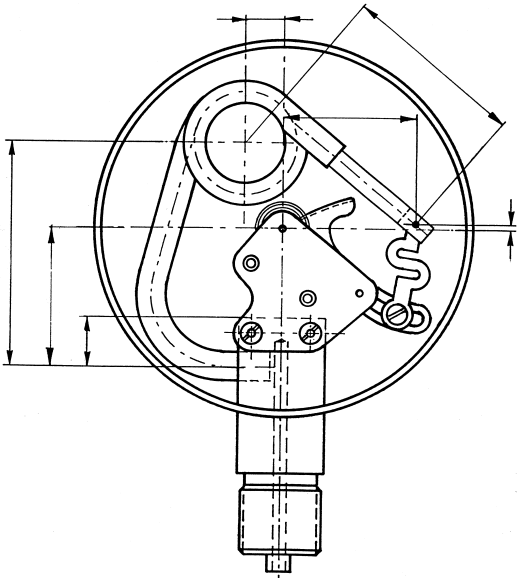
# Technical Checklist / Customer

Bachmaier & Klemmer  
 Feinmechanik  
 83483 Bischofswiesen

Fax: 08652 / 9630-40

Dear Sirs

referring to your request for quotation / order # \_\_\_\_\_ dated \_\_\_\_\_ we ask you for assistance to be able to serve you as quick as possible. If some of the following technical informations are not available please fill in at least the dimensions into the sketch below and name the required tip travel. Please note that any delay in sample approval may eventually influence the requested delivery date.

<b>Customer:</b>	
Coiled tube Size:	Range:
Material:	Movement / ratio:
Distance pinion - endpiece:	Tip travel +/- :
Sample system available ? <input type="checkbox"/> yes <input type="checkbox"/> no	
Assembly dimensions: <input type="checkbox"/> as per sample <input type="checkbox"/> as per drawing / sketch	
Remarks / special requirements:	
	

Back to Bachmaier & Klemmer on: