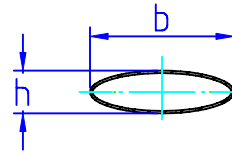
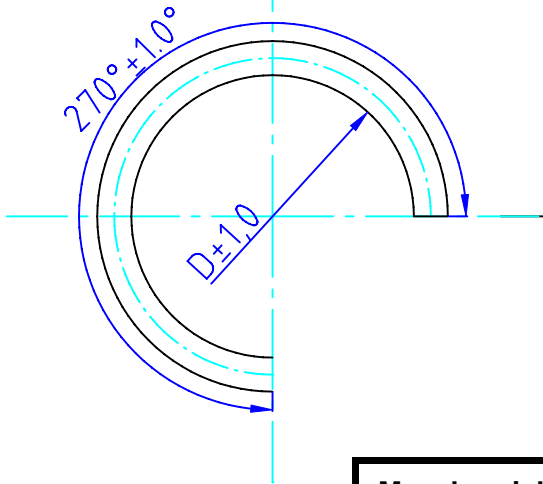
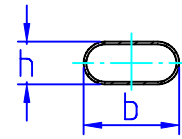


Die Maße "h" und "b" sind nur Richtmaße und können, wenn nicht ausdrücklich festgelegt  $\pm 0,5\text{mm}$  variieren.  
 Dimensions "h" and "b" are approximate only and can vary  $\pm 0,5\text{mm}$ , if not otherwise fixed.



Profil 1  
Shape 1



Profil 2  
Shape 2

Messbereich Range	Profil Shape	Breite-b major axis-b	Höhe-h minor axis-h	InnenØ InsideØ
0 - 0,6 bar	2	14,00 mm	2,85 mm	54,0 mm
0 - 1 bar	2	13,00 mm	4,25 mm	54,0 mm
0 - 1,6 bar	2	13,10 mm	4,00 mm	54,0 mm
0 - 2,5 bar	2	13,45 mm	3,75 mm	54,0 mm
0 - 4 bar	2	13,45 mm	3,85 mm	54,0 mm
0 - 6 bar	2	13,40 mm	4,00 mm	54,0 mm
0 - 10 bar	2	13,20 mm	4,30 mm	54,0 mm
0 - 16 bar	2	10,35 mm	3,95 mm	54,0 mm
0 - 25 bar	2	10,40 mm	3,80 mm	54,0 mm
0 - 40 bar	2	10,40 mm	3,85 mm	54,0 mm
0 - 60 bar	2	10,35 mm	3,85 mm	54,0 mm
0 - 100 bar	2	10,55 mm	3,40 mm	54,0 mm

Messbereich Range	Profil Shape	Breite-b major axis-b	Höhe-h minor axis-h	InnenØ InsideØ
0 - 15 psi	2	13,00 mm	4,25 mm	54,0 mm
0 - 30 psi	2	13,75 mm	3,25 mm	54,0 mm
0 - 45 psi	2	13,10 mm	4,00 mm	54,0 mm
0 - 60 psi	2	13,40 mm	3,95 mm	54,0 mm
0 - 100 psi	2	13,65 mm	3,65 mm	54,0 mm
0 - 160 psi	2	13,15 mm	4,40 mm	54,0 mm
0 - 200 psi	2	10,45 mm	3,70 mm	54,0 mm
0 - 300 psi	2	10,10 mm	4,00 mm	54,0 mm
0 - 400 psi	2	10,05 mm	4,10 mm	54,0 mm
0 - 600 psi	2	10,40 mm	3,85 mm	54,0 mm
0 - 1000 psi	2	10,10 mm	4,20 mm	54,0 mm

Material: CuSn8

Zeichng. Nr: R-140

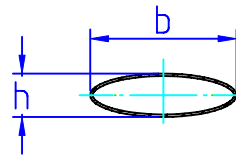
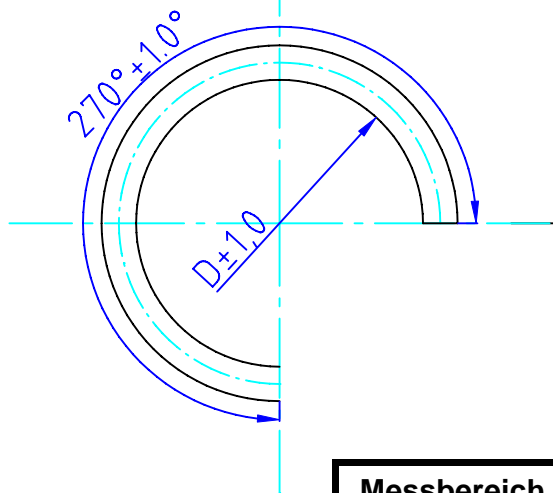
Datum/Bearbeitet: 17.08.05 R.Rank

**BACHMAIER & KLEMMER**

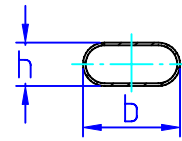


Manometer Rohrfeder NG 80  
Bourdon Tube

Die Maße "h" und "b" sind nur Richtmaße und können, wenn nicht ausdrücklich festgelegt  $\pm 0,5\text{mm}$  variieren.  
 Dimensions "h" and "b" are approximate only and can vary  $\pm 0,5\text{mm}$ , if not otherwise fixed.



Profil 1  
Shape 1



Profil 2  
Shape 2

Messbereich Range	Profil Shape	Breite-b major axis-b	Höhe-h minor axis-h	InnenØ InsideØ
0 - 0,6 bar				
0 - 1 bar	2	20,40 mm	3,05 mm	54,0 mm
0 - 1,6 bar	2	13,45 mm	3,70 mm	54,0 mm
0 - 2,5 bar	2	13,45 mm	3,70 mm	54,0 mm
0 - 4 bar	2	13,35 mm	4,05 mm	54,0 mm
0 - 6 bar	2	13,40 mm	4,00 mm	54,0 mm
0 - 10 bar	2	13,55 mm	3,80 mm	54,0 mm
0 - 16 bar	2	13,35 mm	4,10 mm	54,0 mm
0 - 25 bar	2	13,25 mm	4,20 mm	54,0 mm
0 - 40 bar	2	13,60 mm	3,60 mm	54,0 mm
0 - 60 bar	2	13,30 mm	4,00 mm	54,0 mm
0 - 100 bar	2	13,25 mm	3,95 mm	54,0 mm

Messbereich Range	Profil Shape	Breite-b major axis-b	Höhe-h minor axis-h	InnenØ InsideØ
0 - 15 psi	2	20,40 mm	3,05 mm	54,0 mm
0 - 30 psi	2	13,90 mm	3,30 mm	54,0 mm
0 - 45 psi	2	14,10 mm	2,90 mm	54,0 mm
0 - 60 psi	2	13,35 mm	4,05 mm	54,0 mm
0 - 100 psi	2	13,45 mm	3,70 mm	54,0 mm
0 - 160 psi	2	13,45 mm	3,90 mm	54,0 mm
0 - 200 psi	2	13,50 mm	4,10 mm	54,0 mm
0 - 300 psi	2	13,05 mm	4,60 mm	54,0 mm
0 - 400 psi	2	13,15 mm	4,30 mm	54,0 mm
0 - 600 psi	2	13,60 mm	3,60 mm	54,0 mm
0 - 1000 psi	2	13,25 mm	4,20 mm	54,0 mm

Material: Nirosta 1.4571  
stainless steel AiSi 316 Ti

Zeichng. Nr: R-141

Datum/Bearbeitet: 17.08.05 R.Rank

**BACHMAIER & KLEMMER**



Manometer Rohrfeder NG 80  
Bourdon Tube