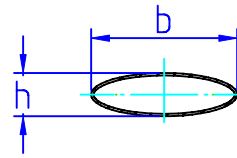
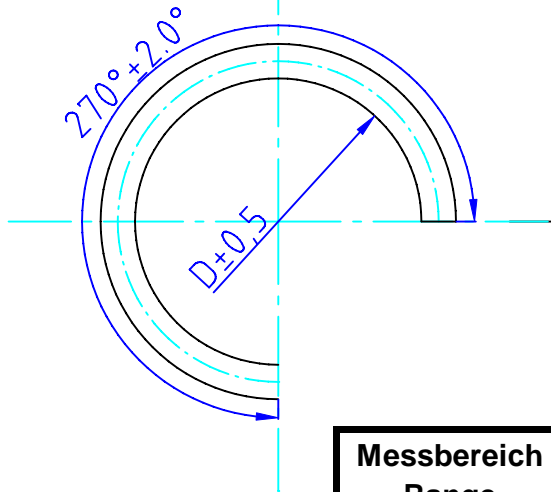
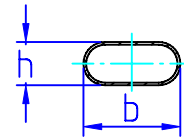


Die Maße "h" und "b" sind nur Richtmaße und können, wenn nicht ausdrücklich festgelegt $\pm 0,5\text{mm}$ variieren.
 Dimensions "h" and "b" are approximate only and can vary $\pm 0,5\text{mm}$, if not otherwise fixed.



Profil 1
Shape 1



Profil 2
Shape 2

Messbereich Range	Profil Shape	Breite-b major axis-b	Höhe-h minor axis-h	InnenØ InsideØ
0 - 0,6 bar	1	11,60 mm	2,60 mm	33,5 mm
0 - 1 bar	1	11,50 mm	2,80 mm	33,5 mm
0 - 1,6 bar	2	11,00 mm	2,50 mm	34,0 mm
0 - 2,5 bar	2	10,75 mm	2,95 mm	34,0 mm
0 - 4 bar	2	11,05 mm	2,60 mm	34,0 mm
0 - 6 bar	2	10,85 mm	3,00 mm	34,0 mm
0 - 10 bar	2	10,85 mm	2,95 mm	34,0 mm
0 - 16 bar	2	10,70 mm	3,20 mm	34,0 mm
0 - 25 bar	2	10,90 mm	2,85 mm	34,0 mm
0 - 40 bar	2	10,80 mm	3,05 mm	34,0 mm
0 - 60 bar	2	10,85 mm	3,05 mm	34,0 mm

Messbereich Range	Profil Shape	Breite-b major axis-b	Höhe-h minor axis-h	InnenØ InsideØ
0 - 10 psi				
0 - 15 psi	1	11,50 mm	2,80 mm	33,5 mm
0 - 30 psi	2	10,70 mm	3,10 mm	33,5 mm
0 - 45 psi	2	11,00 mm	2,70 mm	34,0 mm
0 - 60 psi	2	11,05 mm	2,60 mm	34,0 mm
0 - 100 psi	2	11,10 mm	2,55 mm	34,0 mm
0 - 160 psi	2	11,05 mm	2,65 mm	34,0 mm
0 - 200 psi	2	10,80 mm	3,00 mm	34,0 mm
0 - 300 psi	2	10,95 mm	2,90 mm	34,0 mm
0 - 400 psi	2	10,95 mm	2,90 mm	34,0 mm
0 - 600 psi	2	10,80 mm	3,05 mm	34,0 mm
0 - 1000 psi	2	10,80 mm	3,05 mm	34,0 mm

Material: CuSn8

Zeichng. Nr: R-127

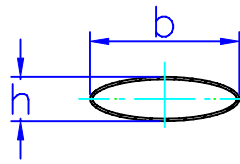
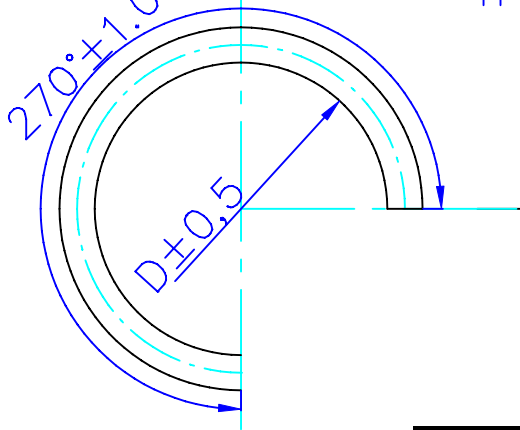
Datum/Erstellt: 17.08.05 R.Rank

BACHMAIER & KLEMMER

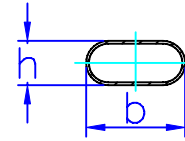


Manometer Rohrfeder NG 50
Bourdon Tube Case ϕ -2"

Die Maße "h" und "b" sind nur Richtmaße und können, wenn nicht ausdrücklich festgelegt $\pm 0,5\text{mm}$ variieren.
 Dimensions "h" and "b" are approximate only and can vary $\pm 0,5\text{mm}$, if not otherwise fixed.



Profil 1
Shape 1



Profil 2
Shape 2

Messbereich Range	Profil Shape	Breite-b major axis-b	Höhe-h minor axis-h	InnenØ InsideØ
0 - 0,6 bar	1	10,55 mm	2,85 mm	33,5 mm
0 - 1 bar	1	10,70 mm	2,70 mm	33,5 mm
0 - 1,6 bar	2	10,50 mm	2,45 mm	34,0 mm
0 - 2,5 bar	2	10,00 mm	2,95 mm	34,0 mm
0 - 4 bar	2	10,20 mm	2,65mm	34,0 mm
0 - 6 bar	2	10,30 mm	2,60 mm	34,0 mm
0 - 10 bar	2	9,90 mm	3,25 mm	34,0 mm
0 - 16 bar	2	10,40 mm	2,55 mm	34,0 mm
0 - 25 bar	2	10,10 mm	2,95 mm	34,0 mm
0 - 40 bar	2	10,30 mm	2,70 mm	34,0 mm
0 - 60 bar	2	10,06 mm	3,05 mm	34,0 mm
0 - 100 bar				

Messbereich Range	Profil Shape	Breite-b major axis-b	Höhe-h minor axis-h	InnenØ InsideØ
0 - 10 psi	1			
0 - 15 psi	1	10,70 mm	2,7 mm	33,5 mm
0 - 30 psi	2	10,30 mm	2,6 mm	34,0 mm
0 - 45 psi	2	9,90 mm	3,15 mm	34,0 mm
0 - 60 psi	2	10,15 mm	2,75 mm	34,0 mm
0 - 100 psi	2	10,05 mm	2,95 mm	34,0 mm
0 - 160 psi	2	9,80 mm	3,35 mm	34,0 mm
0 - 200 psi	2	10,50 mm	2,35 mm	34,0 mm
0 - 300 psi	2	10,35 mm	2,65 mm	34,0 mm
0 - 400 psi	2	10,00 mm	3,15 mm	34,0 mm
0 - 600 psi	2	10,30 mm	2,80 mm	34,0 mm
0 - 1000 psi	2	9,80 mm	3,25 mm	34,0 mm

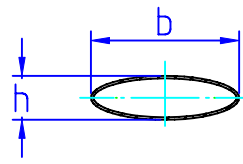
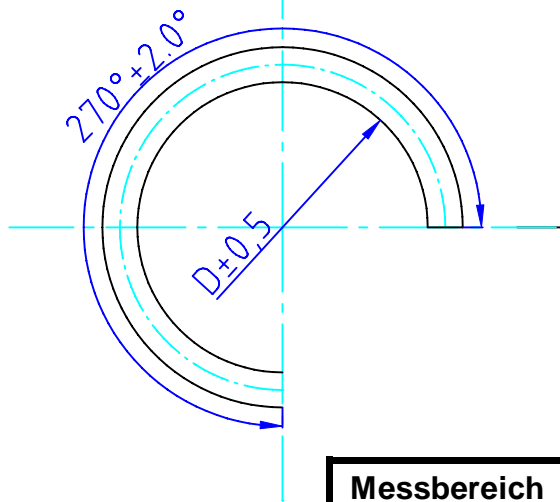
Material: CuZn37
(MS63)

Zeichng. Nr: R-129

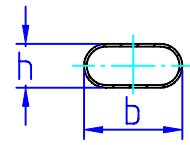
Datum/Erstellt: 17.08.05
R.Rank

Manometer Rohrfeder NG
50 Bourdon Tube Case
ø-2"

Die Maße "h" und "b" sind nur Richtmaße und können, wenn nicht ausdrücklich festgelegt $\pm 0,5\text{mm}$ variieren.
 Dimensions "h" and "b" are approximate only and can vary $\pm 0,5\text{mm}$, if not otherwise fixed.



Profil 1
Shape 1



Profil 2
Shape 2

Messbereich Range	Profil Shape	Breite-b major axis-b	Höhe-h minor axis-h	InnenØ InsideØ
0 - 0,6 bar	1	11,50 mm	2,95 mm	33,5 mm
0 - 1 bar	1	11,75 mm	2,60 mm	33,5 mm
0 - 1,6 bar	1	11,45 mm	2,90 mm	33,5 mm
0 - 2,5 bar	2	11,20 mm	2,40 mm	34,0 mm
0 - 4 bar	2	11,05 mm	2,65 mm	34,0 mm
0 - 6 bar	2	10,90 mm	2,90 mm	34,0 mm
0 - 10 bar	2	11,10 mm	2,50 mm	34,0 mm
0 - 16 bar	2	11,00 mm	2,70 mm	34,0 mm
0 - 25 bar	2	11,00 mm	2,70 mm	34,0 mm
0 - 40 bar	2	11,05 mm	2,65 mm	34,0 mm
0 - 60 bar	2	10,75 mm	3,05 mm	34,0 mm

Messbereich Range	Profil Shape	Breite-b major axis-b	Höhe-h minor axis-h	InnenØ InsideØ
0 - 10 psi				
0 - 15 psi	1	11,75 mm	2,60 mm	33,5 mm
0 - 30 psi	1	11,40 mm	2,95 mm	33,5 mm
0 - 45 psi	2	11,15 mm	2,45 mm	34,0 mm
0 - 60 psi	2	10,90 mm	2,85 mm	34,0 mm
0 - 100 psi	2	11,10 mm	2,55 mm	34,0 mm
0 - 160 psi	2	10,90 mm	2,90 mm	34,0 mm
0 - 200 psi	2	10,90 mm	2,80 mm	34,0 mm
0 - 300 psi	2	10,95 mm	2,80 mm	34,0 mm
0 - 400 psi	2	11,00 mm	2,70 mm	34,0 mm
0 - 600 psi	2	11,05 mm	2,65 mm	34,0 mm
0 - 1000 psi	2	11,00 mm	2,65 mm	34,0 mm

Material: Nirosa 1.4571
stainless steel AISI 316 Ti

Zeichng. Nr: R-130

Datum/Erstellt: 17.08.05 R.Rank

BACHMAIER & KLEMMER



Manometer Rohrfeder NG 50
Bourdon Tube Case Ø-2"