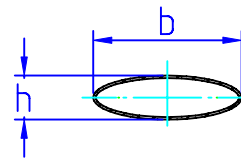
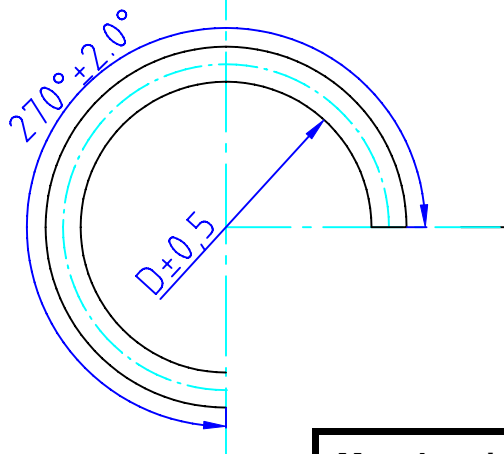
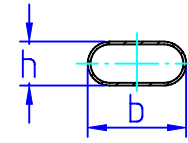


Die Maße "h" und "b" sind nur Richtmaße und können, wenn nicht ausdrücklich festgelegt ±0,5mm variieren.  
 Dimensions "h" and "b" are approximate only and can vary ±0,5mm, if not otherwise fixed.



Profil 1  
Shape 1



Profil 2  
Shape 2

Messbereich Range	Profil Shape	Breite-b major axis-b	Höhe-h minor axis-h	InnenØ InsideØ
0 - 0,6 bar	1	11,70 mm	2,45 mm	25,0 mm
0 - 1 bar	1	11,50 mm	2,70 mm	25,0 mm
0 - 1,6 bar	1	11,45 mm	2,90 mm	25,0 mm
0 - 2,5 bar	1	11,20 mm	3,10 mm	25,0 mm
0 - 4 bar	2	10,80 mm	2,85 mm	25,0 mm
0 - 6 bar	2	10,70 mm	2,75 mm	25,0 mm
0 - 10 bar	2	10,75 mm	3,05 mm	25,0 mm
0 - 16 bar	2	10,80 mm	2,90 mm	25,0 mm
0 - 25 bar	2	10,85 mm	2,95 mm	25,0 mm
0 - 40 bar	2	10,80 mm	3,05 mm	25,0 mm
0 - 60 bar	2	11,00 mm	2,65 mm	25,0 mm

Messbereich Range	Profil Shape	Breite-b major axis-b	Höhe-h minor axis-h	InnenØ InsideØ
0 - 15 psi	1	11,50 mm	2,70 mm	25,0 mm
0 - 30 psi	1	11,50 mm	2,70 mm	25,0 mm
0 - 45 psi	2	10,70 mm	2,90 mm	25,0 mm
0 - 60 psi	2	10,80 mm	2,85 mm	25,0 mm
0 - 100 psi	2	10,65 mm	2,90 mm	25,0 mm
0 - 160 psi	2	10,95 mm	2,75 mm	25,0 mm
0 - 200 psi	2	11,10 mm	2,55 mm	25,0 mm
0 - 300 psi	2	10,85 mm	2,85 mm	25,0 mm
0 - 400 psi	2	10,80 mm	3,05 mm	25,0 mm
0 - 600 psi	2	10,80 mm	3,05 mm	25,0 mm
0 - 1000 psi	2	10,85 mm	2,85 mm	25,0 mm

Material: CuSn8

Zeichng. Nr: R-123

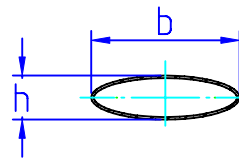
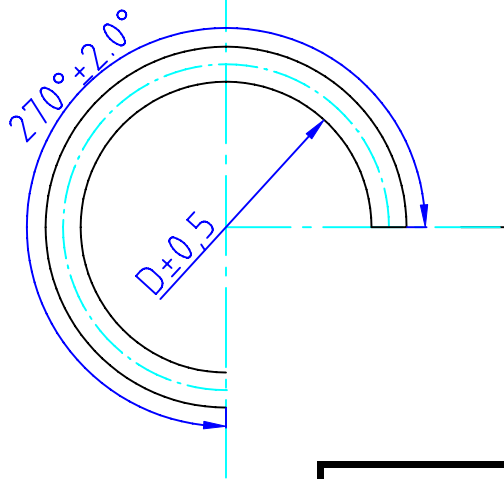
Datum/Erstellt: 17.08.05 R.Rank

**BACHMAIER & KLEMMER**

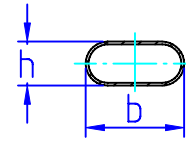


Manometer Rohrfeder NG 40  
Bourdon Tube Case 1 1/2"

Die Maße "h" und "b" sind nur Richtmaße und können, wenn nicht ausdrücklich festgelegt  $\pm 0,5\text{mm}$  variieren.  
 Dimensions "h" and "b" are approximate only and can vary  $\pm 0,5\text{mm}$ , if not otherwise fixed.



Profil 1  
Shape 1



Profil 2  
Shape 2

Messbereich Range	Profil Shape	Breite-b major axis-b	Höhe-h minor axis-h	InnenØ InsideØ
0 - 0,6 bar				
0 - 1 bar	1	10,70 mm	2,80 mm	25,0 mm
0 - 1,6 bar	1	10,85 mm	2,50 mm	25,0 mm
0 - 2,5 bar	1	10,65 mm	2,70 mm	25,0 mm
0 - 4 bar	2	10,10 mm	2,80 mm	25,0 mm
0 - 6 bar	2	10,25 mm	2,60 mm	25,0 mm
0 - 10 bar	2	10,10 mm	2,85 mm	25,0 mm
0 - 16 bar	2	10,15 mm	2,60 mm	25,0 mm
0 - 25 bar	2	10,40 mm	2,40 mm	25,0 mm
0 - 40 bar	2	10,10 mm	2,90 mm	25,0 mm
0 - 60 bar	2	10,20 mm	2,80 mm	25,0 mm

Messbereich Range	Profil Shape	Breite-b major axis-b	Höhe-h minor axis-h	InnenØ InsideØ
0 - 15 psi	1	10,70 mm	2,80 mm	25,0 mm
0 - 30 psi	1	10,60 mm	2,90 mm	25,0 mm
0 - 45 psi	1	10,65 mm	2,80 mm	25,0 mm
0 - 60 psi	2	10,10 mm	2,80 mm	25,0 mm
0 - 100 psi	2	9,95 mm	3,00 mm	25,0 mm
0 - 160 psi	2	10,10 mm	2,95 mm	25,0 mm
0 - 200 psi				
0 - 300 psi				
0 - 400 psi				
0 - 600 psi				
0 - 1000 psi				

Material: CuZn37 (MS63)

Zeichng. Nr: R-125

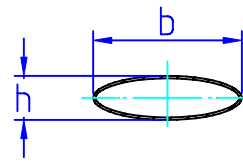
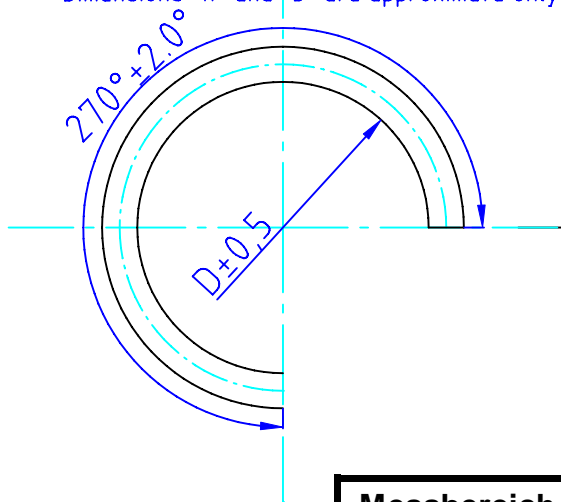
Datum/Erstellt: 17.08.05 R.Rank

**BACHMAIER & KLEMMER**

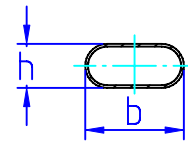


Manometer Rohrfeder NG 40  
Bourdon Tube Case 1 1/2"

Die Maße "h" und "b" sind nur Richtmaße und können, wenn nicht ausdrücklich festgelegt  $\pm 0,5\text{mm}$  variieren.  
 Dimensions "h" and "b" are approximate only and can vary  $\pm 0,5\text{mm}$ , if not otherwise fixed.



Profil 1  
Shape 1



Profil 2  
Shape 2

Messbereich Range	Profil Shape	Breite-b major axis-b	Höhe-h minor axis-h	InnenØ InsideØ
0 - 0,6 bar				
0 - 1 bar	1	11,70 mm	2,60 mm	25,0 mm
0 - 1,6 bar	1	11,70 mm	2,60 mm	25,0 mm
0 - 2,5 bar	1	11,55 mm	2,80 mm	25,0 mm
0 - 4 bar	1	11,45 mm	2,95 mm	25,0 mm
0 - 6 bar	2	10,90 mm	2,75 mm	25,0 mm
0 - 10 bar	2	10,80 mm	2,95 mm	25,0 mm
0 - 16 bar	2	11,10 mm	2,55 mm	25,0 mm
0 - 25 bar	2	10,75 mm	3,10 mm	25,0 mm
0 - 40 bar	2	10,75 mm	3,10 mm	25,0 mm
0 - 60 bar	2	10,75 mm	3,10 mm	25,0 mm

Messbereich Range	Profil Shape	Breite-b major axis-b	Höhe-h minor axis-h	InnenØ InsideØ
0 - 15 psi	1	11,70 mm	2,60 mm	25,0 mm
0 - 30 psi	1	11,60 mm	2,70 mm	25,0 mm
0 - 45 psi	1	11,70 mm	2,60 mm	25,0 mm
0 - 60 psi	1	11,45 mm	2,95 mm	25,0 mm
0 - 100 psi	2	10,80 mm	2,90 mm	25,0 mm
0 - 160 psi	2	10,60 mm	3,25 mm	25,0 mm
0 - 200 psi	2	10,90 mm	2,90 mm	25,0 mm
0 - 300 psi	2	10,80 mm	3,10 mm	25,0 mm
0 - 400 psi	2	11,05 mm	2,75 mm	25,0 mm
0 - 600 psi	2	10,75 mm	3,10 mm	25,0 mm
0 - 1000 psi	2	10,60 mm	3,35 mm	25,0 mm

Material: Nirosta 1.4571  
stainless steel AiSi 316 Ti

**BACHMAIER & KLEMMER**



Zeichng. Nr: R-126

Manometer Rohrfeder NG 40  
Bourdon Tube Case 1 1/2"

Datum/Erstellt: 17.08.05 R.Rank

Anderungsstand 1